

NC Rotary Tables

NC Indexer

NC Indexer with Programmable Controller

RZ

RZ-161・201

Simple structure ensures easy operation.
Attractive pricing with many high-performance features.

- RG
- RNA
RN
- RNE
- RNA-B
RNCV-B
- RNCM

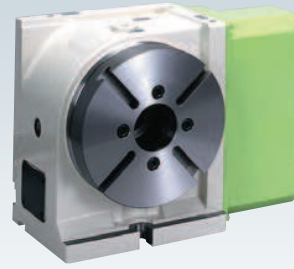
RBA

Specifications

Unit: mm

		RZ-161	RZ-201
Handedness	R	○	○
	L	—	—
Spindle diameter		φ100h7	φ120h7
Table diameter *1		φ160 or φ200 (Option)	φ200 or φ250 (Option)
Center height		135	160
Center bore	Nose diameter	φ55H7 (φ50H7 With face plate)	φ65H7 (φ60H7 With face plate)
	Through-bore	φ40	φ45
Table T-slot width *1		12H8 (With face plate)	12H8 (With face plate)
Guide block width		14h7	18h7
Controller (exclusive)		TPC-Jr	TPC-Jr
Inertia converted into motor shaft	$\times 10^{-3} \text{kg} \cdot \text{m}^2$ [$\times 10^{-3} \text{kgf} \cdot \text{cm} \cdot \text{sec}^2$]	0.19 [1.90]	0.19 [1.98]
Net weight	kg	40	65
Speed reduction ratio		1/60	1/72
Table max. rpm	min^{-1} (Motor rpm: min^{-1})	33.3/2,000	33.3/2,400
Indexing accuracy (the sum)	sec	45	45
Repeatability	arc sec	4	4
Clamp system		Pneumatic	Pneumatic
Clamp torque	N·m [kgf·m]	156 [16]	294 [30]
Strength of worm gears	N·m [kgf·m]	147 [15]	264 [27]
Allowable work weight	Vertical setting () : with tailstock	kg	75 (150)
	Horizontal setting	kg	150
Allowable load (when table is clamped)	F	N [kgf]	7,840 [800]
	FxL	N·m [kgf·m]	156 [16]
Allowable work inertia	FxL	N·m [kgf·m]	392 [40]
	$J = \frac{W \cdot D^2}{8}$	$\text{kg} \cdot \text{m}^2$ [$\text{kgf} \cdot \text{cm} \cdot \text{sec}^2$]	0.48 [4.9]

*1 The tolerance of the table T-slot width is applicable to four standard slots arranged crosswise. Dimensions



RZ-201
With Face Plate

P.64

Controller (TPC-Jr) Specifications

Unit: mm

Control axis	Single-axis		
Servo motor	AC servo: ABS detector		
Command unit	0.001° (Decimal)		
Indexing number	Direct indexing	1 to 999999 even indexing	
	Arc-indexing	1 to 999 even indexing	
Max. command angle	±999.999°		
Command system	INC, ABS, Shortcut ABS, INC/ABS mixed system		
Input system	MDI		
Program control	Workpiece No. (W0000 to 9999)		
Program capacity	1,000 blocks (Total of main and sub programs)		
Cable supplied (standard)	Between rotary table and TPC-Jr (1 pc)		
	For Motor: 5m		
	Power cable: 5m		
Power	Interlocking cable: 5m		
	1 φ200/220V±10% 50/60Hz		
Grounding (less than 100 ohm earth resistance)	Model	Power capacity	Fuse rating
	Jr H2 (for RZ-161)	1.2KVA	10A
	Jr H3 (for RZ-201)	1.9KVA	15A
External dimensions	Control box (Non-CE) Weight H2: 6.7kg, H3: 7.2kg 285mm (W) × 255mm (D) × 130mm (H)		

With Chuck **P.58**

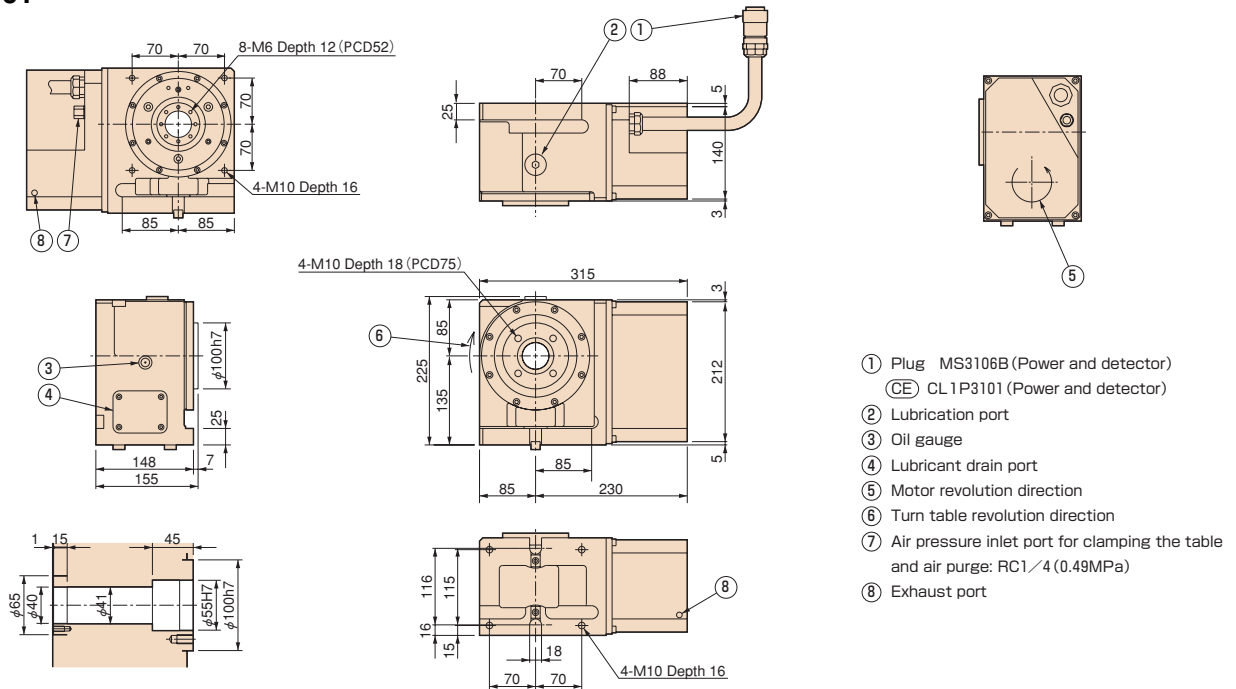


RZ-161

Dimensions

Unit: mm

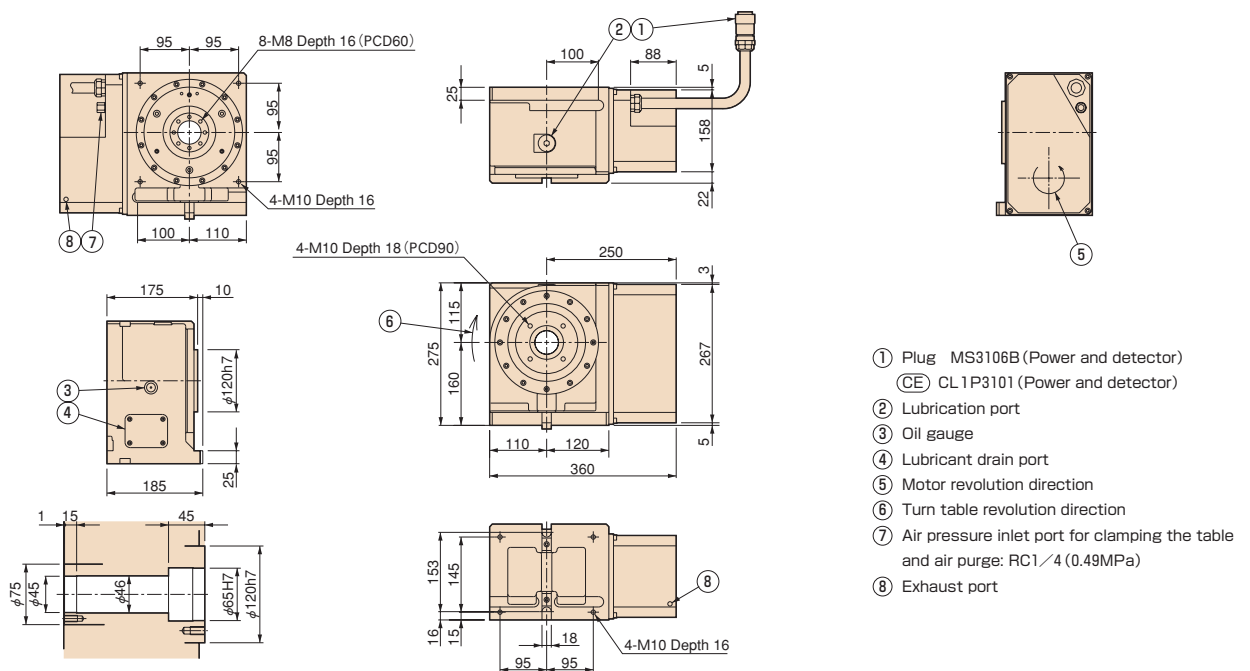
RZ-161



- ① Plug MS3106B (Power and detector)
CE CL1P3101 (Power and detector)
- ② Lubrication port
- ③ Oil gauge
- ④ Lubricant drain port
- ⑤ Motor revolution direction
- ⑥ Turn table revolution direction
- ⑦ Air pressure inlet port for clamping the table and air purge: RC1/4 (0.49MPa)
- ⑧ Exhaust port

RG
RNA
RN
RNE
RNA-B
RNCV-B
RNCM
RBA
RBA-K
RNCK
RCH
RNC
RCV
RNCV
Multi-Spindle
RN-N
RZ

RZ-201



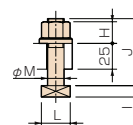
- ① Plug MS3106B (Power and detector)
CE CL1P3101 (Power and detector)
- ② Lubrication port
- ③ Oil gauge
- ④ Lubricant drain port
- ⑤ Motor revolution direction
- ⑥ Turn table revolution direction
- ⑦ Air pressure inlet port for clamping the table and air purge: RC1/4 (0.49MPa)
- ⑧ Exhaust port

TN
TTNC
THNC
Multi-Spindle
TTNC-N
RC
RH
RUA
TSUA
RTV
RTT
NC Controllers
Accessories
Options
Technical Information

Clamping bolt

Unit: mm

	Q'ty	T-slot pitch	T-slot width	A	B	C	D	E	F	G	H	I	J	K	L	M
RZ-161	2	—	14	—	—	—	—	—	—	—	17	8	60	—	23	12
RZ-201	2	—	18	—	—	—	—	—	—	—	21	11	65	—	28	16



Note 1: When using a machine with a T-slot pitch other than the above, use suitable clamping blocks and bolts that are available on the market, or order custom-made ones from TSUDAKOMA. (Optional)
Note 2: Clamping blocks are not included with the RZ-161 and RZ-201.