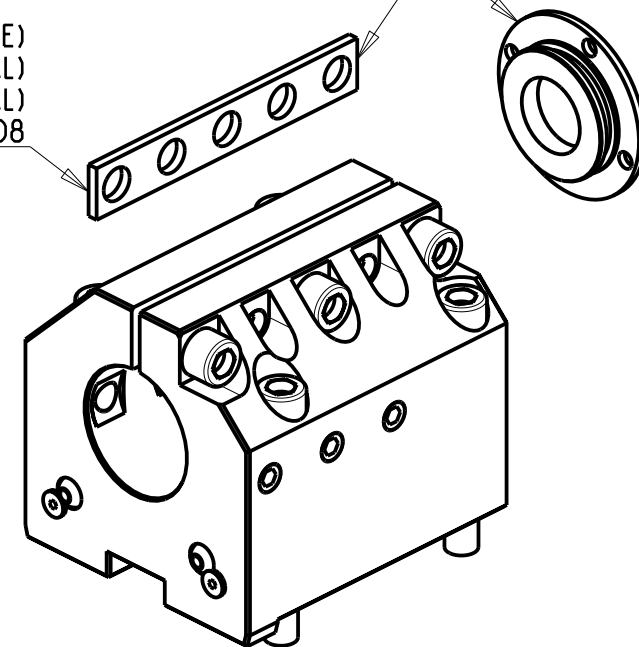


KIT ADDUZIONE INTERNA (OPZIONALE)
 KIT FOR INTERNAL COOLANT (OPTIONAL)
 KIT FUER INTERNE KUEHLMITTELZUFUHR (OPTIONAL)
 $\varnothing 1 \frac{1}{2}$ " cod. KIT1001004
 $\varnothing 40$ cod. KIT1001003
 $\varnothing 50$ - $\varnothing 2$ " cod. KIT1001002

SOLO GUARNIZIONE (OPZIONALE)
 ONLY SEAL (OPTIONAL)
 NUR DICHTUNG (OPTIONAL)
 cod. MNL0110008



PER BOCCOLE DI RIDUZIONE VEDI PAG. TBL150-1-00
 FOR REDUCING BUSHINGS SEE PAGE TBL150-1-00
 FÜR REDUZIERBUCHSE SIEHE SEITE TBL150-1-00

Cod. MT	N°Utensili N°Tools N°Werkzeuge	Reversibile lato mandrino/contromandrino Reversible sub/main spindle side Umkehrbare Spindel-seite/ Gegenspindel-seite	Lubrificazione int. opzionale Coolant through optional Innenkuehlung Optional	Lubrificazione est. Ext. coolant Aussenkuehlung	Misure Dimensions Masse	D
DW00364000	1	X	X	X	mm	40
DW00363810	1	X	X	X	Inch	1 1/2"
DW00365000	1	X	X	X	mm	50
DW00365080	1	X	X	X	Inch	2"

DOOSAN BMT 75

MOD: PUMA 400 - PUMA 480M/LM/XLM - PUMA 4100M - PUMA 5100M - V550M - V8300M

PORTAUTENSILE ASSIALE PER BARENO $\varnothing 40\text{mm}/\varnothing 1 \frac{1}{2}$ "/ $\varnothing 50\text{mm}/\varnothing 2$ " H=60mm

Axial single boring bar holder $\varnothing 40\text{mm}/\varnothing 1 \frac{1}{2}$ "/ $\varnothing 50\text{mm}/\varnothing 2$ " H=60mm

Axial Bohrhälter $\varnothing 40\text{mm}/\varnothing 1 \frac{1}{2}$ "/ $\varnothing 50\text{mm}/\varnothing 2$ " H=60mm

Subject to change without notice.

M.T. srl

Via Casino Albini 480
 Tel. 0541/956034-957884
 Fax 0541/956341

47842 S. GIOVANNI IN M. (RN)
 e-mail: mtma@mtmarchetti.com
 http://www.mtmarchetti.com

PRODUZIONE MODULI ROTANTI



PAGINA DW0610-4-20