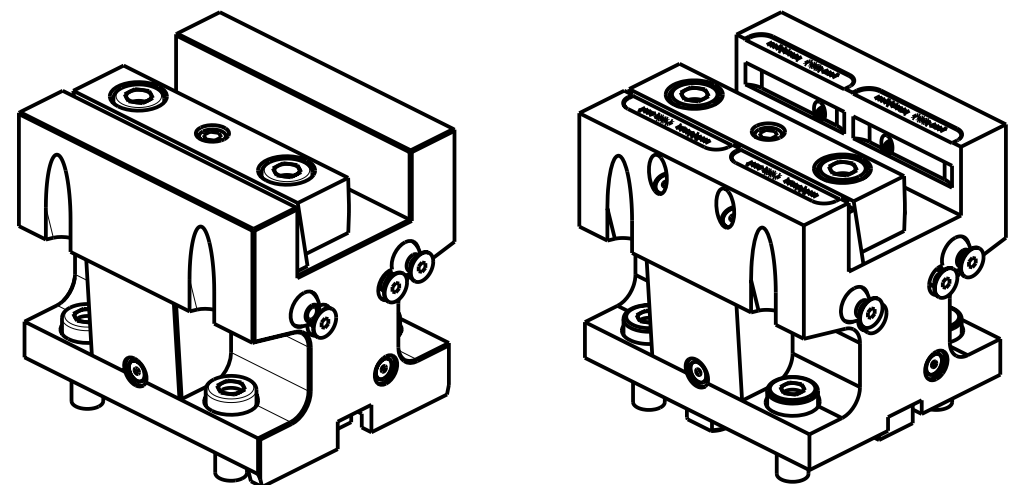


DW 004 22510



| Cod. MT | N°Utensili N°Tools N°Werkzeuge | Reversibile lato mandrino/contromandrino Reversible sub/main spindle side Umkehrbare Spindel-seite/ Gegenspindel-seite | Lubrificazione int. Coolant through Innenkuehlung | Lubrificazione est. Ext. coolant Aussenkuehlung | Misure Dimensions Masse | B | H |
|--------------|--------------------------------------|---|---|---|-------------------------------|----|----|
| DW 004 22500 | 1 | X | - | X | mm | 25 | 25 |
| DW 004 22540 | 1 | X | - | X | Inch | 1" | 1" |
| DW 004 22510 | 1 | X | P=70bar | X | mm | 25 | 25 |

DOOSAN BMT 55

MOD: PUMA 230-240M/MS-280LM - PUMA 1500-2000-2500M/MS/Y/SY - LINX 300 M - PUMA 2100 12ST. - PUMA 2600 16ST.
 PUMA TT1500-1800-2100MS/SY/SYY - PUMA TL2000-2500 (M) - MX1600/2100ST 12ST. - PUMA GT2100-2600 M - PUMA H250TM - PUMA QL200HM

PORTAUTENSILE ASSIALE SINGOLO QD=25mm / QD=1"

Axial single static tool QD=25mm / QD=1"

Axial Single-Werkzeughalter QD=25mm / QD=1"

Subject to change without notice.

M.T. srl

Via Casino Albini 480
 Tel. 0541/956034-957884
 Fax 0541/956341
 47842 S. GIOVANNI IN M. (RN)
 e-mail: mtma@mtmarchetti.com
 http://www.mtmarchetti.com

PRODUZIONE MODULI ROTANTI



PAGINA DW0552-2-00