

PER PORTAUTENSILI MODULARI MTSK-32 VEDI PAG. TBL300-1-32
 FOR MTSK-32 QUIK CHANGE TOOLHOLDERS CLAMPINGS SEE PAGE TBL300-1-32
 FUER MTSK-32 MODULARE WERKZEUGAUFNAHMEN SIEHE SEITE TBL300-1-32

Cod. MT	Mandrino Spindle Spindel	I	RPM	Coppia Max Max Torque Max Drehmoment	Lubr.interna Coolant through Innenkuehlung	Lubrificazione est. Ext. coolant Aussenkuehlung	A	CHIAVI NON INCLUSE Keys not included Schluessel nicht einbegriffen	
DW 01780132	MTSK-32	1:1	6000	35Nm	-	X	42.2	CHUB36	OKU0290009 *
DW 01780232	MTSK-32	1:1	6000	35Nm	P=30bar	X	49.7	CHUB36	OKU0290009 *

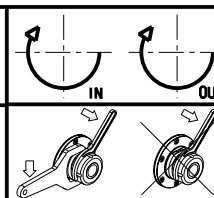
- Chiave inclusa
- Key included
- Schluessel inbegriffen

DOOSAN BMT 45

MOD: LYNX 220 M/LM/LMS/LY/LSY - LYNX 2100 M/LM/LMS/LY/LSY - PUMA MX1600 16ST. - PUMA TW2100M 10ST. - PUMA TT1300SY/SYY

MODULO MOTORIZZATO RADIALE MTSK
 Radial MTSK driven tool
 Radial MTSK angetriebenes Werkzeug

Subject to change without notice.

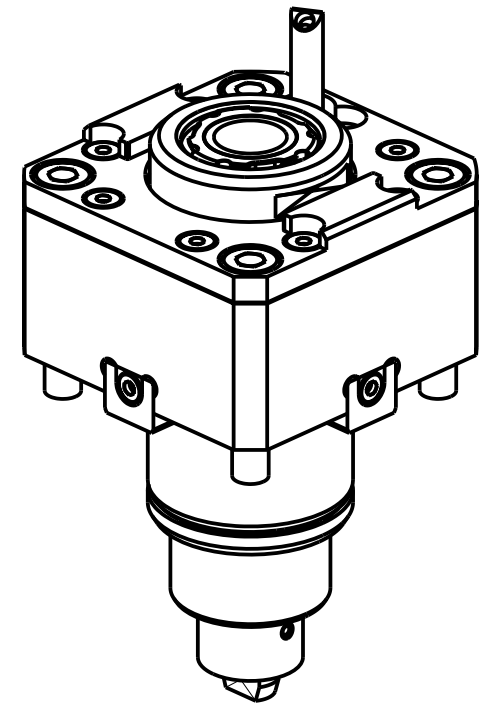
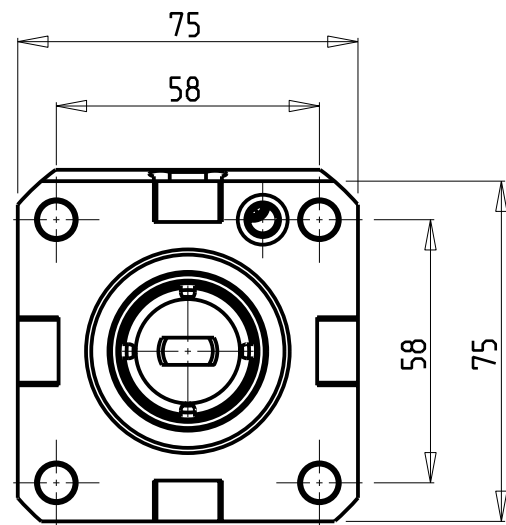
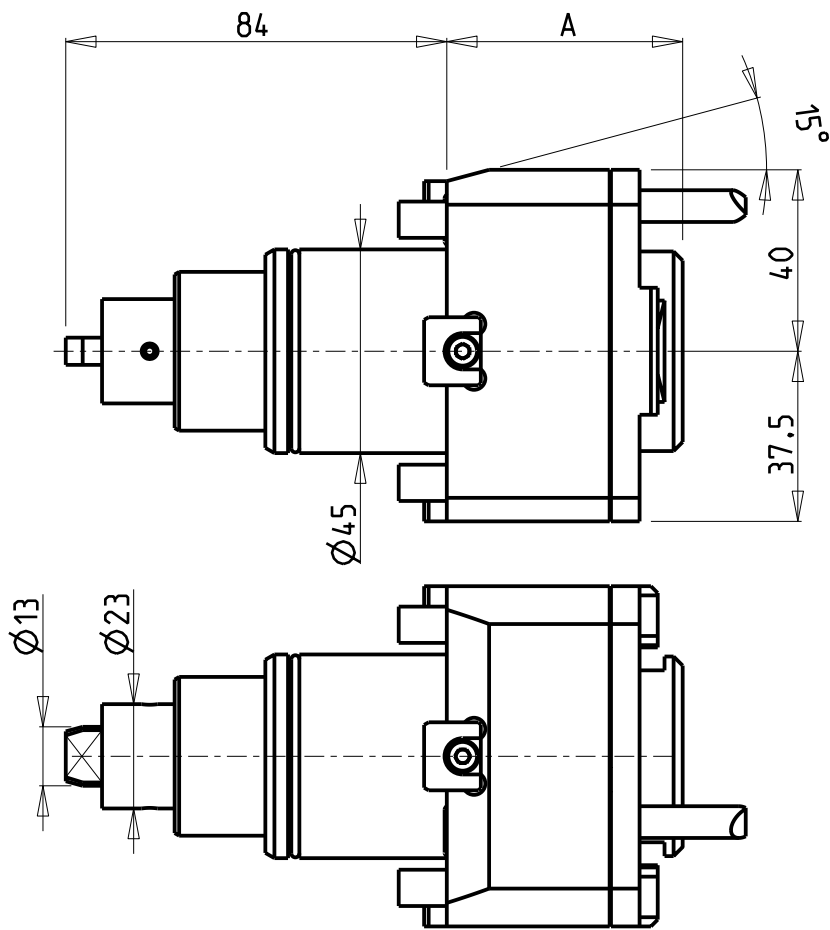


M.T. srl
 Via Casino Albini 480
 Tel. 0541/956034-957884
 Fax 0541/956341
 47842 S. GIOVANNI IN M. (RN)
 e-mail: mtma@mtmarchetti.com
 http://www.mtmarchetti.com

PRODUZIONE MODULI ROTANTI



PAGINA DW0010-1-00-K



Cod. MT	Mandrino Spindle Spindel	I	RPM	Coppia Max Max Torque Max Drehmoment	Lubrificazione int. Coolant through Innenkuehlung	Lubrificazione est. Ext. coolant Aussenkuehlung	A	CHIAVI NON INCLUSE Keys not included Schlüssel nicht inbegriffen		
DW 02000325	ERA25	1:1	6000	35Nm	-	X	52	CHUB27	CHTAER25ZC	OKU0290009
DW 02000425	ERA25	1:1	6000	35Nm	P=30bar	X	60	CHUB27	CHTAER25ZC	OKU0290009

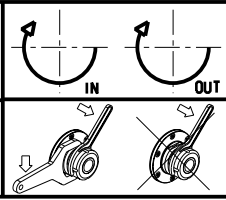
- Chiave inclusa
- Key included
- Schlüssel inbegriffen

DOOSAN BMT 45

MOD: LYNX 220 M/LM/LMS/LY/LSY - LYNX 2100 M/LM/LMS/LY/LSY - PUMA MX1600 16ST. - PUMA TW2100M 10ST. - PUMA TT1300SY/SYY

MODULO MOTORIZZATO RADIALE
Radial driven tool
Radial angetriebenes Werkzeug

Subject to change without notice.



M.T. srl
Via Casino Albini 480
Tel. 0541/956034-957884
Fax 0541/956341
47842 S. GIOVANNI IN M. (RN)
e-mail: mtma@mtmarchetti.com
http://www.mtmarchetti.com

PRODUZIONE MODULI ROTANTI

PAGINA DW 0010-1-01