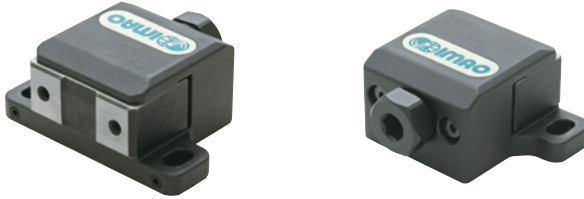


# QLSCH-H

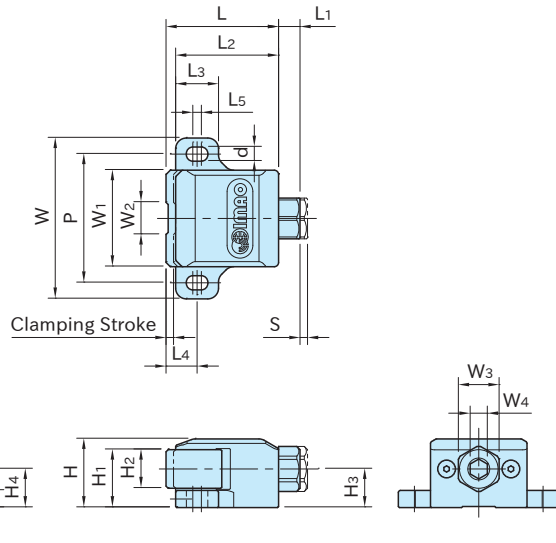
## SIDE CLAMPS



### ★Key Point

Compact free vise that prevents lifting up of the part.

Body	Jaw	Shaft	Screw
S45C steel Black oxide finished	S45C steel Quenched & tempered Black oxide finished Precision ground	SCM440 steel Black oxide finished	SCM435 steel Quenched & tempered Black oxide finished



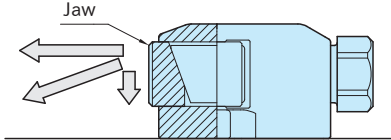
M1 Hex-Socket Setscrew

Part Number	Clamping Stroke	W <sub>1</sub>	W <sub>2</sub>	H <sub>1</sub>	H <sub>2</sub>	M	P <sub>1</sub>	H <sub>4</sub>	L <sub>4</sub>	W	L <sub>3</sub>	H <sub>5</sub>	d	L <sub>5</sub>
QLSCH32H	3	45	15	27	18	M4×0.7 Depth 6	30	18	14	75	20	8	6.6	3
QLSCH40H	4	60	20	33	22	M5×0.8 Depth 8	40	22	19	100	26	10	8.6	4

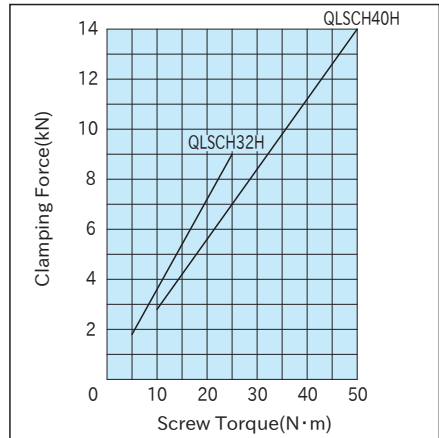
Part Number	P	H	L	L <sub>2</sub>	L <sub>1</sub>	H <sub>3</sub>	S	W <sub>3</sub>	W <sub>4</sub>	M <sub>1</sub>	Allowable Screw Torque(N·m)	Clamping Force(kN)	Weight (g)
QLSCH32H	60	32	52	48	10	18	3	19	8	M4×0.7-6L	25	9	560
QLSCH40H	80	40	69	63	13	22	4	24	10	M5×0.8-8L	50	14	1240

## Feature

- A screw type clamping mechanism provides long clamping stroke and firm clamping.
- Precision-ground jaw is perfect for clamping the workpiece on its finished surface.
- In clamping, the jaw provides downward force to prevent part lift.

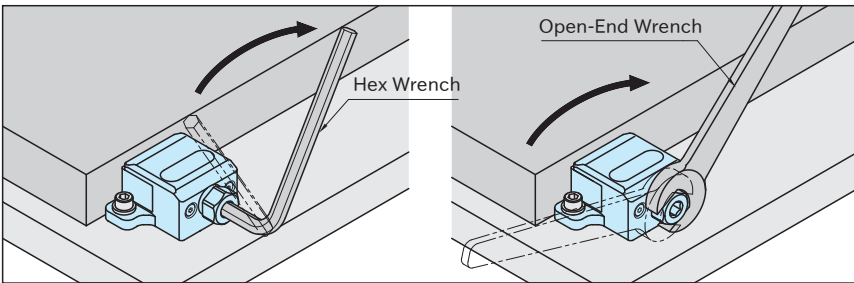


## Performance Curve

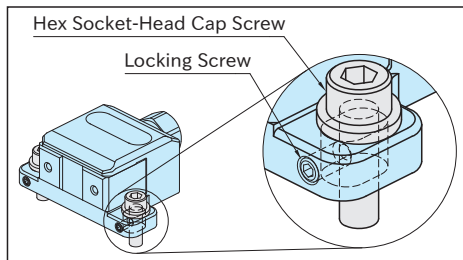


## How To Use

- Can be clamped with both of hex wrench and open-end wrench.



- The locking screw must be screwed onto the hex socket-head cap screw to prevent the body sliding backwards when clamping.



## QLSCH

## CAM EDGE CLAMPS



One-Touch type is available.