

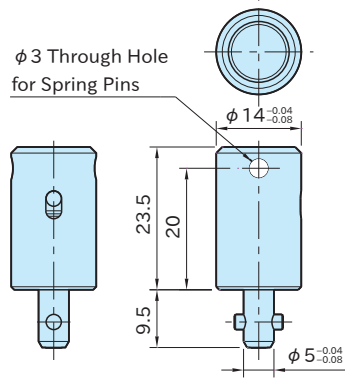
QCSJ

SHAFT COUPLING CLAMP



Electroless Nickel Plated

Heat resistance: 200°C



★ Key Point

Multipurpose coupling element

Part Number	Clamping Force(N)	Weight(g)
QCSJ0514A	30	25

Note

Spring pins are not supplied.

Body/Shank	Pin	Spring
S45C steel Electroless nickel plated	SUS304 stainless steel	SUS304-CSP stainless steel

QCSJ-S / QCSJ-B

CAM RECEPTACLES



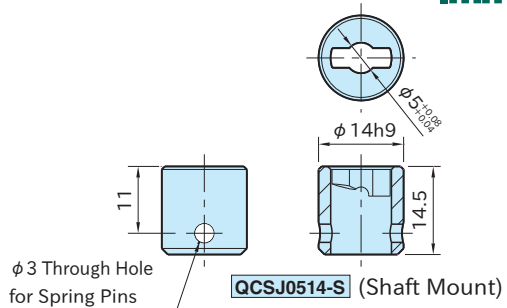
Electroless Nickel Plated



QCSJ0514-S
(Shaft Mount)



QCSJ0514-B
(Plate Mount)



QCSJ0514-S (Shaft Mount)

Body
SCM440 steel Quenched and tempered Electroless nickel plated

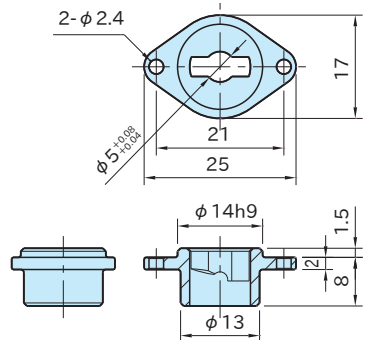
Part Number	Weight(g)
QCSJ0514-S	10
QCSJ0514-B	8

Supplied With

QCSJ0514-B: 2 of socket-head cap screws (stainless steel), M2X0.4-5L

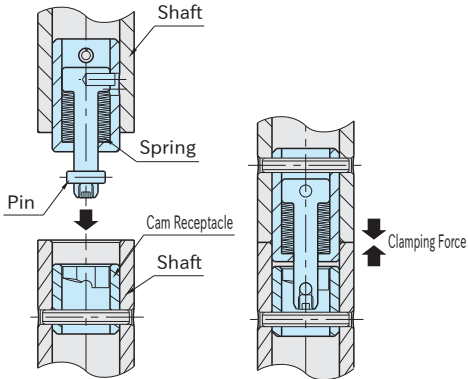
Note

Spring pins to mount **QCSJ0514-S** are not supplied.



QCSJ0514-B (Plate Mount)

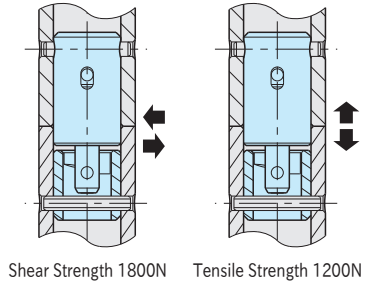
Feature



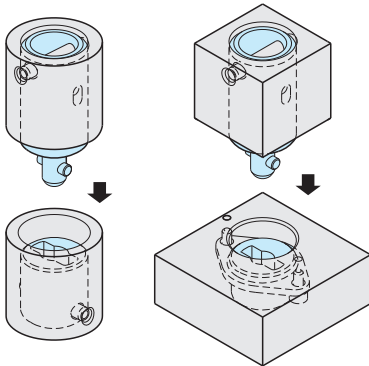
When the pin contacts along the cam surface in Cam Receptacle, the spring gets compressed to clamp the shafts.

Technical Information

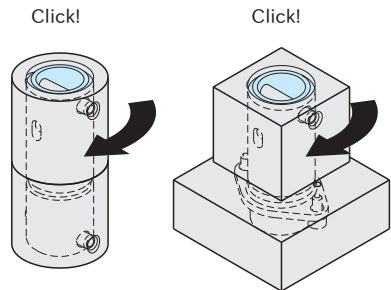
- Heatresistant Temperature 200°C
- Mechanical Strength



How To Use



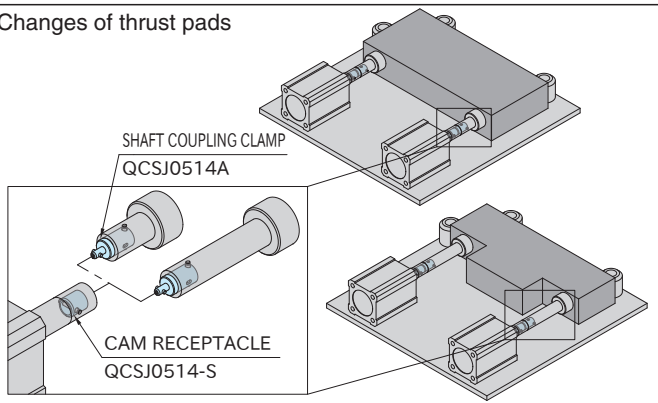
1. Insert the shaft into the keyway of Cam Receptacle.



2. Turn the shaft or block for 90° to clamp. The element clicks when clamped. For unclamping, follow back these steps.

Application Example

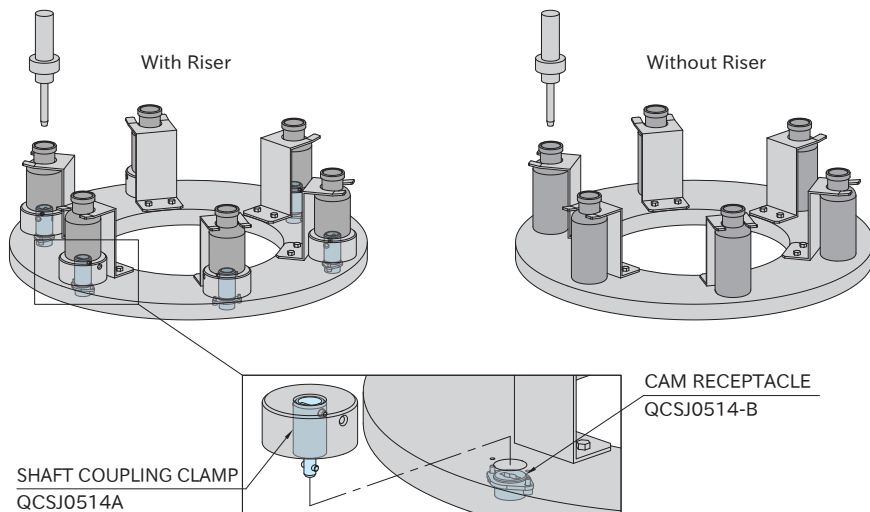
Changes of thrust pads



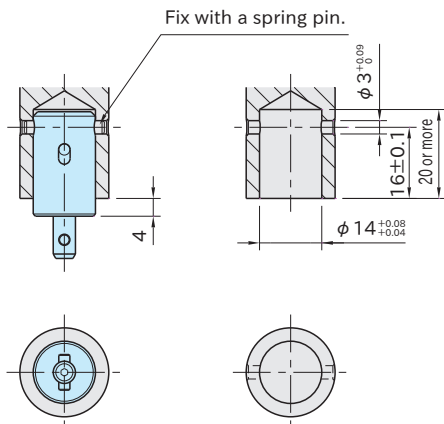
Continuing on Next Page

Application Example

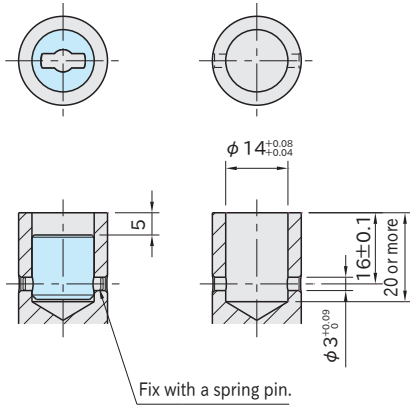
Changes of riser



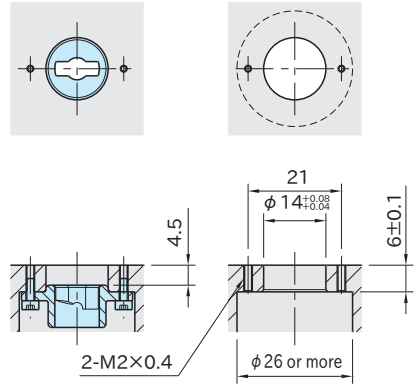
How To Install Shaft Coupling Clamp



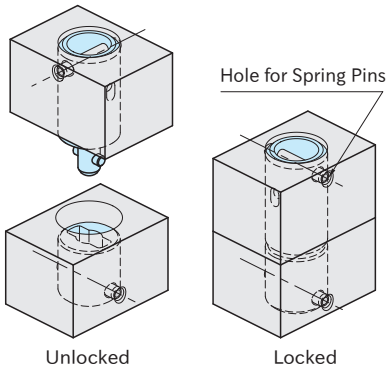
How To Install Cam Receptacle(Shaft Mount)



How To Install Cam Receptacle(Plate Mount)



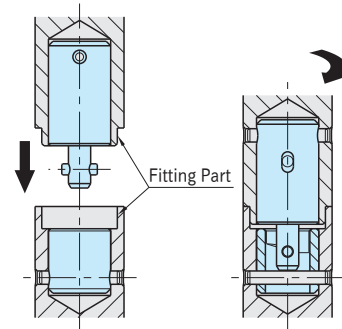
Note



Pay attention to the direction of holes for spring pins.

Repeatability

Repeatability ± 0.08



Prepare male and female fittings for higher accurate locating.