

QCHC-N

HOLE HOLDING CLAMPS



Stainless Steel

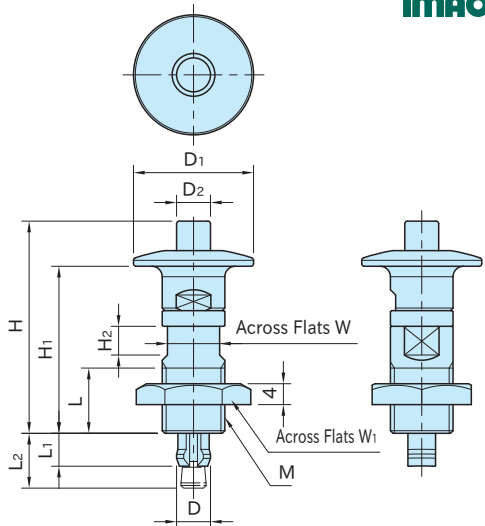
Heat resistance: 180°C



QCHC-N-3



QCHC-N-6

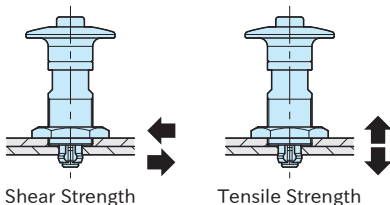


★Key Point
Receptacle is not required.

Part Number	Body/Nut	Spacer	Spring/Snap Ring
QCHC-N-3	SUS303 stainless steel	SUS303 stainless steel	SUS304WPB stainless steel
QCHC-N-6		—	

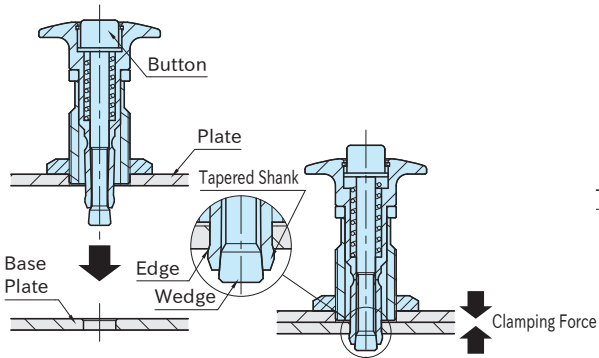
Part Number	Proper Base Plate Thickness	Proper Plate Thickness	D	M	D ₁	D ₂	H	L	H ₁	L ₁	L ₂	H ₂	W	W ₁	Clamping Force(N)	Weight (g)
QCHC0612N-3-SUS	3		6.5	M12×1 (Fine Thread)	23	6.5	40/37	12.5	32/29	6.5/9.5	10.5/13.5	5.5	10	19	3	41
QCHC0612N-6-SUS	6	3~8	6.5	M12×1 (Fine Thread)	23	6.5	37	12.5	29	9.5	13.5	5.5	10	19	3	40
QCHC0816N-3-SUS	3		8.5	M16×1 (Fine Thread)	32	10	51/48	16.5	41.5/38.5	6.5/9.5	11	7	14	24	6	88
QCHC0816N-6-SUS	6	3~12	8.5	M16×1 (Fine Thread)	32	10	48	16.5	38.5	9.5	14	7	14	24	6	86

Technical Information

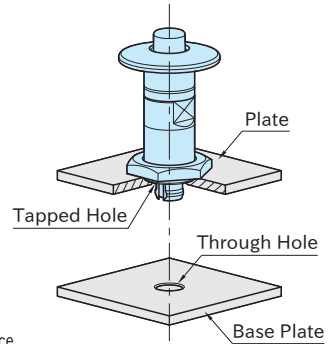


Part Number	Heat Resistant Temperature (°C)	Shear Strength (N)	Tensile Strength (N)
QCHC0612N-3-SUS	180	200	150
QCHC0612N-6-SUS			150
QCHC0816N-3-SUS		400	300
QCHC0816N-6-SUS			

Feature

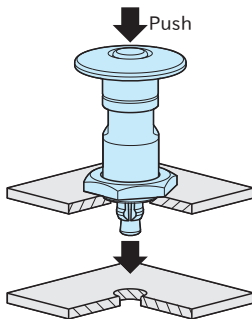


The tapered shank expanded by the wedge pushes out the edge of the hole on the base plate, and the two plates are clamped.

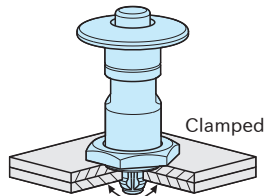


Just a tapped hole and a through hole are required.

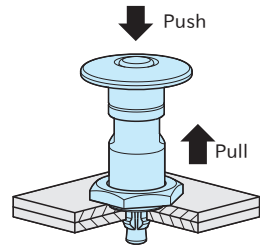
How To Use



1. Insert Hole Holding Clamp pressing the button.



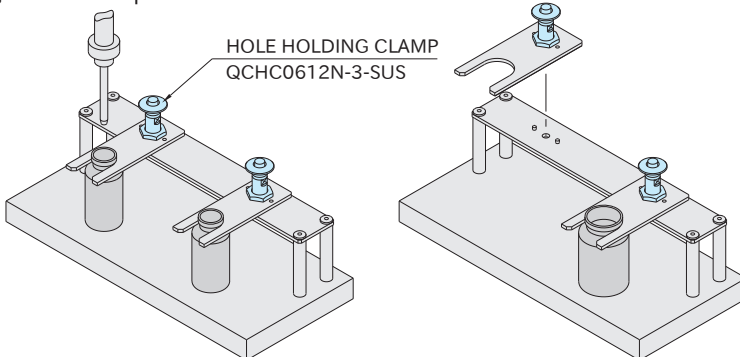
2. The slitted part on the shank expands once the button is released, and the plate is clamped.



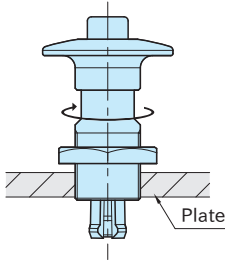
3. For unclamping, push the button and pull the clamp.

Application Example

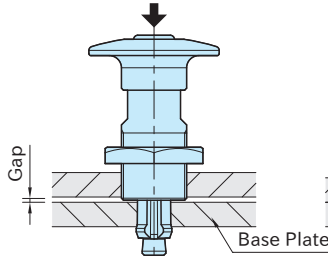
Changes of holder plates



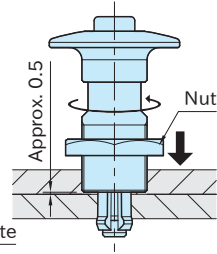
How To Install



1. Screw Hole Holding Clamp into the plate until the end of threaded part comes out of the plate.

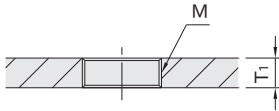


2. Insert the clamp pushing the button.



3. Adjust the clamp until the both plates get contacted, and then lock the clamp with the nut.

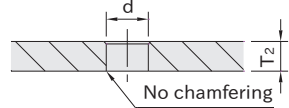
■ Mounting Hole on Plate



Part Number	M	T ₁
QCHC0612N	M12×1 (Fine Thread)	3~ 8
QCHC0816N	M16×1 (Fine Thread)	3~12

■ Mounting Hole on Baseplate

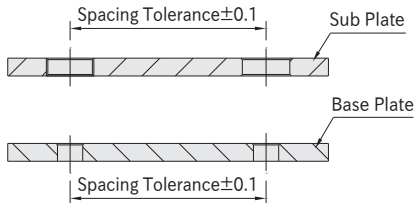
Use hard metals such as stainless steels for the base plate.



Part Number	d (±0.1)	T ₂
QCHC0612N-3-SUS	6.5	3
QCHC0612N-6-SUS		6
QCHC0816N-3-SUS	8.5	3
QCHC0816N-6-SUS		6

Accuracy

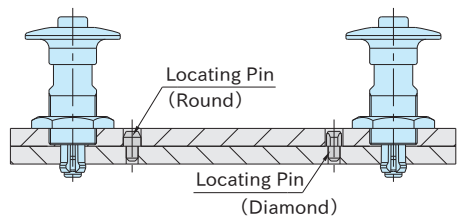
■ Machining Accuracy



Spacing tolerance on both the subplate and the base plate should be ± 0.1 .

■ Repeatability

Repeatability ± 0.25



For higher accurate locating, use locating pins.